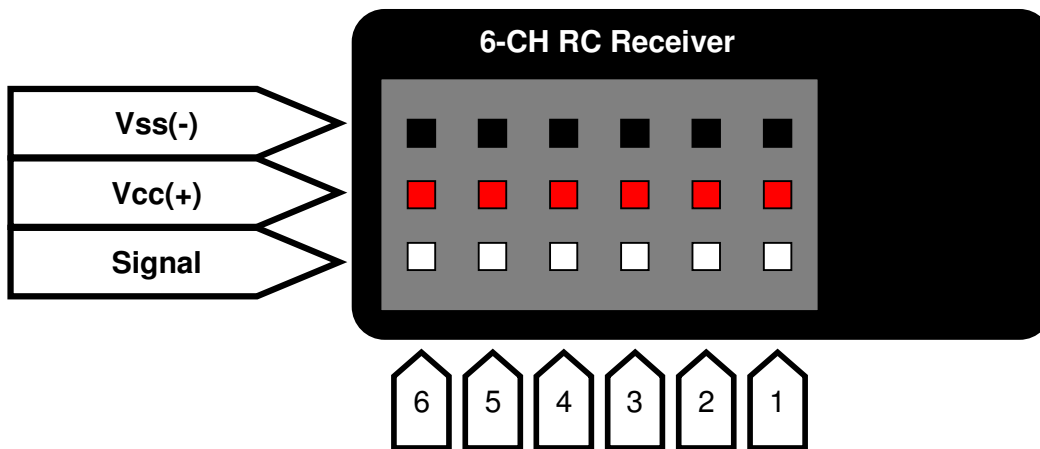


Interfacing BASIC Commander with RC Remote Controller

ver 1.0

Introduction:

In this article, we take the ALIGN 6-channel remote control receiver as an example to show how to interface the BASIC Commander to the quite popular RC remote receiver. Other brands of RC transmitters and receivers employ the same control methodology. However, users might need to modify slightly to fit their needs.



Steps:

1. Connect the positive 5V power supply Vcc from BASIC Commander to any pin of the Vcc (+) on the 6-channel remote control receiver as shown above.
2. Connect the ground of power supply GND from BASIC Commander to any pin of the Vss (-) on the 6-channel remote control receiver as shown above.
3. Connect one of the GPIO pins of the BASIC Commander to one of the 6 signal pins, on which the signal sent from the transmitter will be measured. Here we take the pin 4 of BASIC Commander and signal pin 3 on the receiver as an example.
4. Now open the innoBASIC WorkShop and write down the program code as shown below, in which a WORD type of variable “temp” is declared to store the

signal measured by the BASIC Commander by using the Pulsein(4,1,temp) command, where 4 stands for the pin 4 of BASIC Commander is used and 1 stands for a high pulse is to be measured. The Debug command is used to display the result in the Terminal Window in the innoBASIC WorkShop.

```
Sub main()  
Dim temp As Word  
  Do  
    Pulsein(4,1,temp)  
    Debug "temp= ", temp, CR  
  Loop  
End Sub
```

5. With all the wiring completed and program compiled and downloaded, user can turn on the RC remote control transmitter and move the corresponding control stick, the "temp" value displayed on the Terminal Window will vary accordingly. By applying the same control method, user can read more channels of signal and to add more program code for further applications.

Notes:

1. Usually, the RC receiver is not design for high voltage use, a higher than 5 Volts power supply might cause permanent damage to the receiver.
2. Please check the "BASIC Commander & innoBASIC Workshop" User's Manual about the BASIC Commander details and command usage.